

Shelter Cluster (Preparedness) meeting 4th November 2016

Typhoon Haima / Lawin update



Shelter Cluster Philippines (Preparedness)

ShelterCluster.org
Coordinating Humanitarian Shelter

Agenda

1. Update on field visits
2. Update on compiled assessment data
3. 3Ws
4. Resource mobilization
5. Ways forward
6. AOB



Update on field visits



Shelter Cluster visit to Cagayan Province, Region II, 30 Oct – 01 Nov

- DSWD Region II
- OCD/PDRRMC Ops Centre
- Governor of Cagayan Province
- Field visits – Penablanca, Enrile, Tuguegarao, Solana municipalities



Update on field visits – DSWD Region II



- International assistance not yet officially requested
- Received updated assessment numbers for RII. (Most current and comprehensive but still incomplete. Higher than NDRRMC figures).
- Validation of damaged houses in progress (completion within 60 days).
- Emergency Shelter Assistance (ESA)
selection criteria:
 - Damaged house (partially or totally)
 - Pantawid program → listahanan*



Update on field visits – Provincial Govt



- Assessments and humanitarian assistance should be coordinated with PDRRMC
- International assistance welcomed (in-country stocks), direct requests to INGOs have been made
- Calamity fund for Cagayan Province to be used for shelter response (and agriculture)



Update on field visits – damage



- Urban, semi-rural, rural – varying damage densities
- Totally and partially damaged – what does this mean?
- Self-recovery actions witnessed: salvage of materials, repair works, purchase of new materials (GGI) construction of temporary shelters, ‘adopt a neighbour’.







Shelter Cluster Philippines (Preparedness)

ShelterCluster.org
Coordinating Humanitarian Shelter





Shelter Cluster Philippines (Preparedness)

ShelterCluster.org
Coordinating Humanitarian Shelter

Compiled assessment data



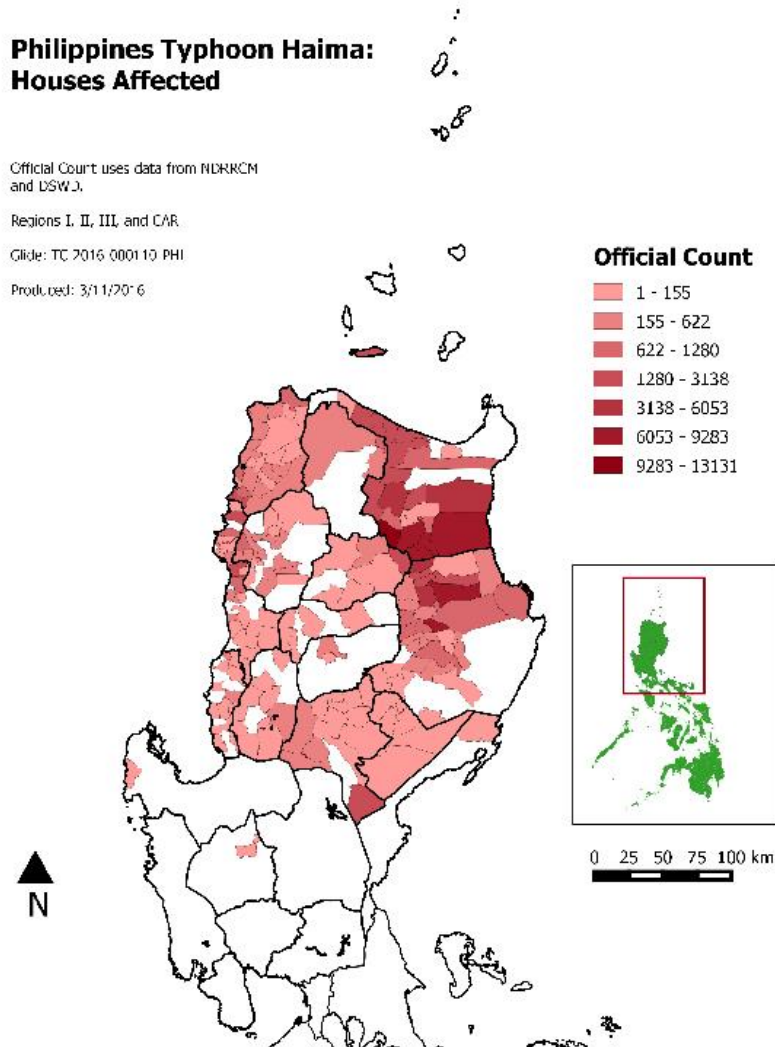
Philippines Typhoon Haima: Houses Affected

Official Count uses data from NDRRMC
and DSWD.

Regions I, II, III, and CAR

Glide: TC 2016 0001 10 PHI

Produced: 3/11/2016



Mapping of NDRRMC data @ municipal-level

→ White areas have not yet been assessed so numbers will still rise

→ Cagayan seems to be the most affected Province

note: municipalities that have not yet fully been assessed might show “light” red suggesting low damage. These will likely show more damage as assessments continue into barangays not yet reached.

Compiled assessment data

REGION	NO. OF DAMAGED HOUSES		
	Total	Totally destroyed houses	Partially damaged houses

GRAND TOTAL	198,065	29,327	168,738
	252,537	37,224	212,222

REGION I	26,554	3,534	23,020
-----------------	--------	-------	--------

REGION II	130,949	22,689	108,260
	185,421	33,677	151,744

REGION III	184	10	174
-------------------	-----	----	-----

CAR	40,378	3	37,284
------------	--------	---	--------

DROMIC data, Nov 4th
with
updated data from RII DSWD
Office, 31st Oct in red

→ # of **totally destroyed houses** is
up to **37,224** and **partially 212,222**

*updated information as of Oct 31st noon from DSWD Cagayan Field Office

**information from DROMIC report as of Nov. 4th



Shelter Cluster Philippines (Preparedness)

ShelterCluster.org
Coordinating Humanitarian Shelter

Damage assessment data by Municipality from DSWD Cagayan Field Office as of Oct 31st

→ the percentage of damage varies from Municipality to Municipality depending on geographic location, prevalent building types and quality of housing stock.

Municipality	Population # people (2015 census)	Total # houses in the region (assuming 5 people per HH)	# totally destroyed houses (A)	% of total number of houses	# partially damaged houses (B)	% of total number of houses	Total # partially + totally damaged houses (A+B)	% of total number of houses
Tuguegarao	153 502	30 700	6 571	21%	16 534	54%	23 105	75%
Iguig	27 862	5 572	1 123	20%	4 490	81%	5 613	101%
Tuao	61 535	12 307	2 275	18%	10 856	88%	13 131	107%
Penablanca	48 584	9 717	1 025	11%	7 066	73%	8 091	83%
Piat	23 597	4 719	942	20%	3 993	85%	4 935	105%
Sta. Teresita	19 038	3 808	104	3%	965	25%	1 069	28%
Lallo (Lal-lo)	44 506	8 901	125	1%	640	7%	765	9%
Pamplona	23 596	4 719	-	0%	2 225	47%	2 225	47%
Lasam	39 135	7 827	184	2%	2 679	34%	2 863	37%
Enrile	35 834	7 167	1 388	19%	5 672	79%	7 060	99%



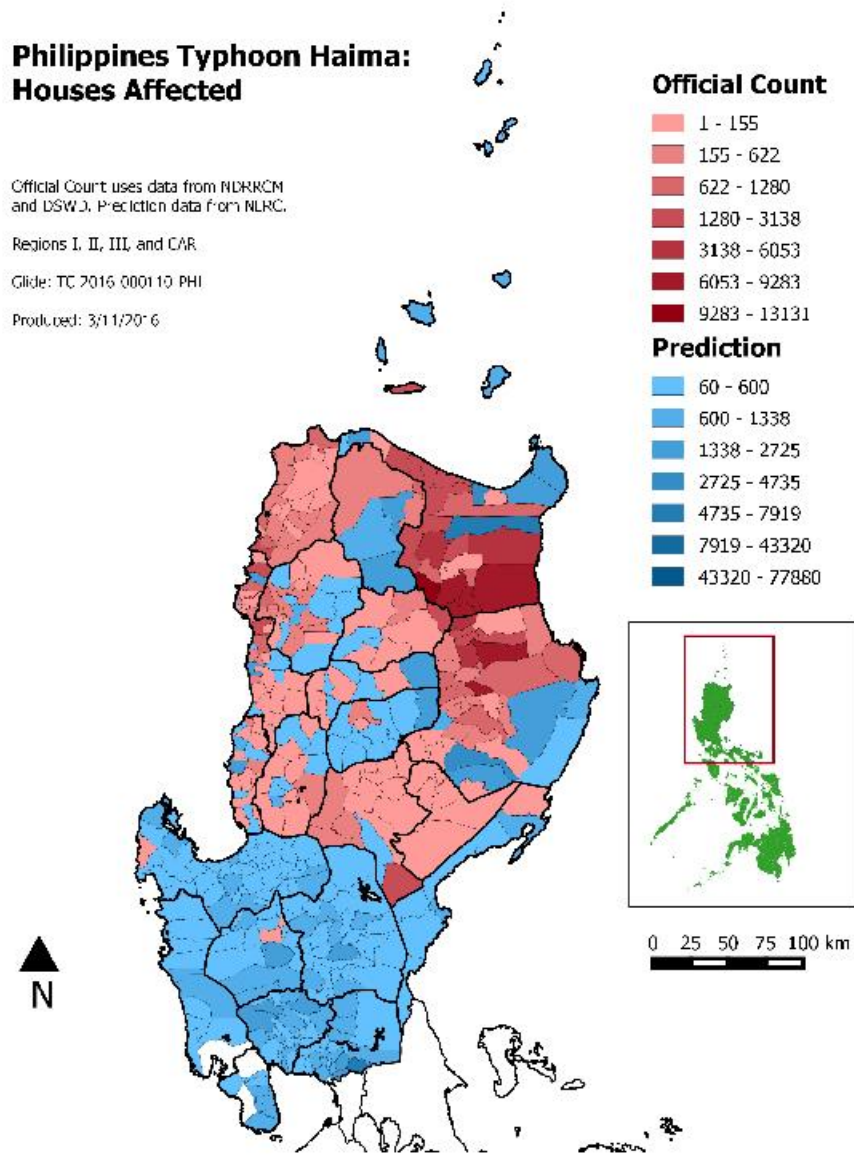
Philippines Typhoon Haima: Houses Affected

Official Count uses data from NDRRMC and DSWD. Prediction data from NLRC.

Regions I, II, III, and CAR.

Glide: TC 2016 000110 PHI

Produced: 3/11/2016



Predicted damage levels (in blue) per municipality

The calculation of predicated housing damage in municipalities not yet assessed is based upon a number of variables from available data: NDRRMC assessment, weather data (rain and wind speeds) and poverty data.

Also underlying this analysis is a comparative study of these same traits compared with previous typhoon events in Philippines (Pablo and Yolanda)

This predictive model is in a testing phase, and can be further developed with assessment data of shelter agencies.

Assessment update from agencies

- Round table



3Ws

- We encourage all shelter agencies to submit updates of your assessments and assistance as it becomes available. This will enable us to carry out a more detailed analysis and share it back with you.



Resource mobilisation (shelter) - National

- DSWD:
 - Managing emergency shelter response (**Response Cluster** lead).
 - Emergency Shelter Assistance (ESA) up to 10,000 PHP partially damaged house, up to 30,000 PHP totally damaged house. Planned coverage not clear. 165 families validated in RII as of 31 Oct 2016.
 - National appeal launched on website (cash and in-kind donations)
 - International assistance might be called upon for early recovery.
- Provincial Government:
 - Calamity fund = 5% of Provincial budget. CGI distribution to families with totally damaged houses being considered in Cagayan Province.



Resource mobilisation (shelter) - National

INTERESTED TO HELP VICTIMS OF TYPHOON LAWIN?

DEPOSIT YOUR DONATIONS TO THE DOLLAR SAVINGS ACCOUNT OR PESO CURRENT ACCOUNT OF DSWD

DSWD DOLLAR SAVINGS ACCOUNT FOR FOREIGN DONATION

Account Name : **DSWD FOREIGN DONATION**
 Account Number : 3124-0055-81
 Swift Code : TLBPPHMMXXXX
 Bank Address : Land Bank of the Philippines
 Batasan Branch, Constitution Hills, Quezon City

PESO CURRENT ACCOUNT

Account Name : **DSWD DONATION**
 Account Number : 3122-1011-84
 Bank Address : Land Bank of the Philippines
 Batasan Branch, Constitution Hills, Quezon City

- 1 Directly deposit your donations to the DSWD donation account.
- 2 Notify DSWD-Finance Management Service (FMS)/ Cash Division (CD) of your donation through phone or email. Kindly send the validated deposit slip together with your information (name, nationality and address) to finance@dswd.gov.ph and cash@dswd.gov.ph or fax to 931-8127
- 3 DSWD will acknowledge your donation thru issuance of an official receipt containing the amount you donated. You will receive it either thru email or fax.

Their new beginning starts with your concern!

DSWD
Department of Social Welfare and Development

MAAGAP
MAGKAKALINGANG SERBISYO!
#DSWDMayMalasakit

ACCEPTED ITEMS FOR IN-KIND DONATIONS

FOOD
(non perishable goods, canned goods, ready to eat, does not require water to cook, bottled water)

NEW CLOTHES
(fresh, comfortable, new underwear, new shoes)

MATS

NEW TOILETRIES

BLANKETS

TENTS

NEW KITCHEN AND COOKING UTENSILS

NEW TOYS

They may also donate the following:

● Mosquito Nets
● Jerry Cans
● Solar Lamps

DSWD
Department of Social Welfare and Development

MAAGAP
MAGKAKALINGANG SERBISYO!
#DSWDMayMalasakit

Resource mobilisation - International

- **OFDA** : not funding relief activities. On standby for recovery and preparedness
- **AECID**: small grants issued
- **DFAT (AusAID)** : funded pre-positioned NFIs. Not funding relief activities, but monitoring the situation
- **MFAT, ECHO, GAC**: no details
- **IsraAID**: seeking relief and recovery projects to fund (**contact: nnisan@israaid.org**)
- **IFRC/Philippine RC**: Appeal for 3 million CHF (3% funded). 4000HH emergency assistance, 1,000 HH recovery assistance including cash, labour and technical assistance

Views represented are not necessarily the official donor position, they are the Shelter Cluster Coordination teams interpretation based on meetings/phone calls or where this has not been possible an understanding of past response in this typhoon season



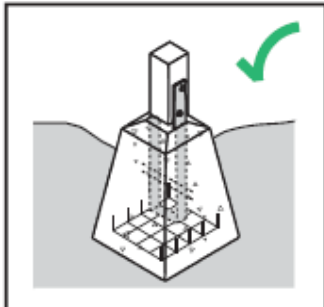
Ways forward

- Consider shifting the modalities of assistance from resource intensive in-kind/cash shelter assistance.
- Focus on complementing the DSWD *ESA* and Provincial Govt. *Calamity Funds* as well as the self-recovery efforts with:
 - awareness raising activities for Build Back Safer / Better
 - technical assistance for reconstruction
 - trainings on improved construction techniques, as well as materials quality assurance
 - DRR and preparedness activities

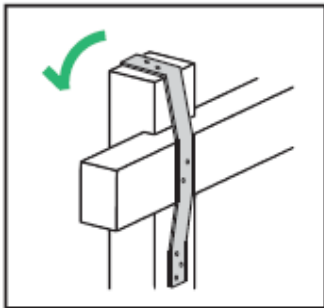


Yolanda showed us that the way we build houses needs to be stronger. These are 8 key messages on how to repair your house and build back safer.

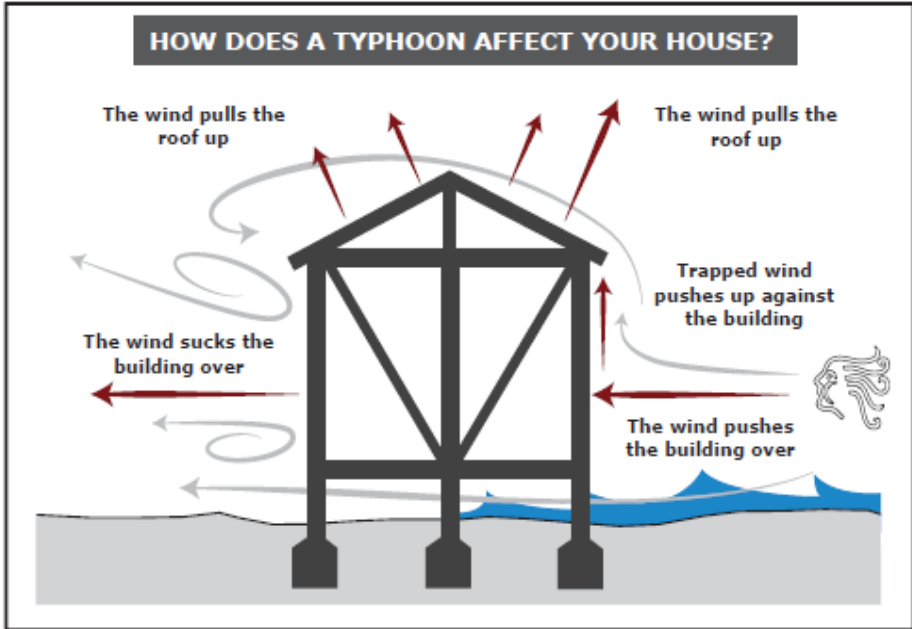
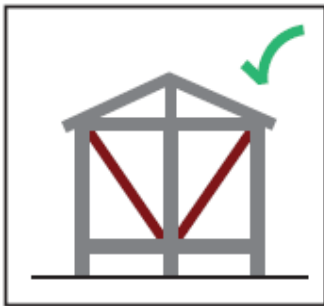
1 BUILD ON STRONG FOUNDATIONS



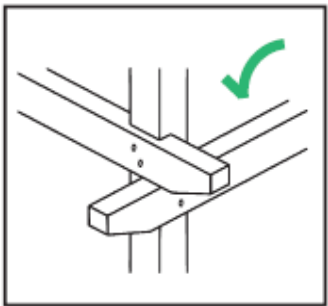
2 TIE-DOWN FROM BOTTOM UP



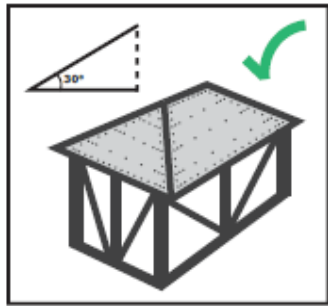
3 BRACE AGAINST THE STORM



4 USE STRONG JOINTS



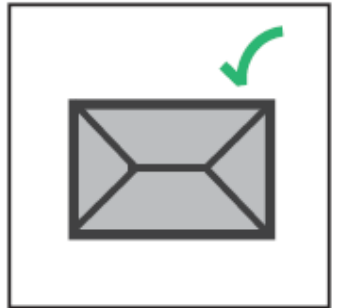
5 A GOOD HOUSE NEEDS A GOOD ROOF



8 BE PREPARED



7 A SIMPLE SHAPE WILL KEEP YOU SAFE



6 SITE YOUR HOUSE SAFELY

