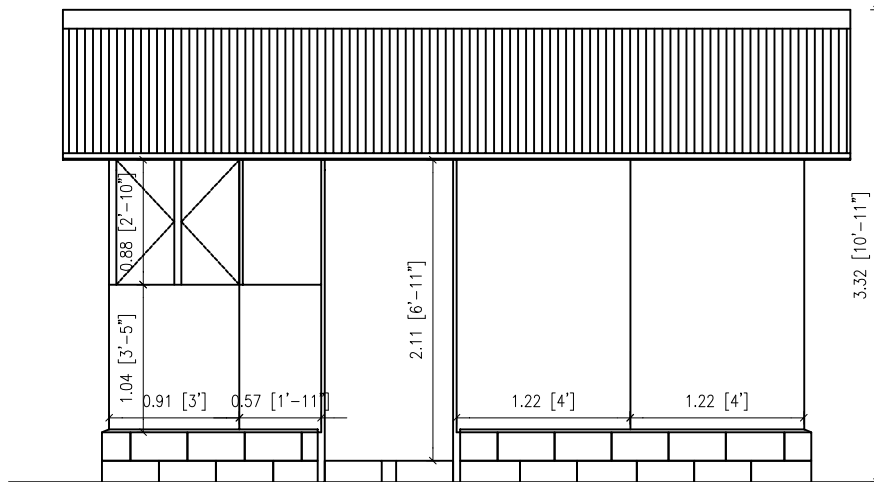
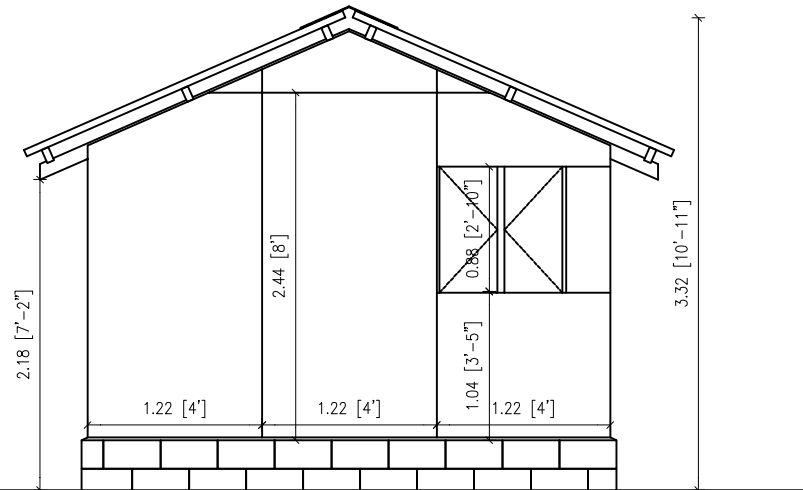


FLOOR PLAN



FRONT ELEVATION



RIGHT SIDE ELEVATION

PAGE:

TS TYPE:

DRAWING:

ESCALA/ SCALE:

DATA/ DATE:

1

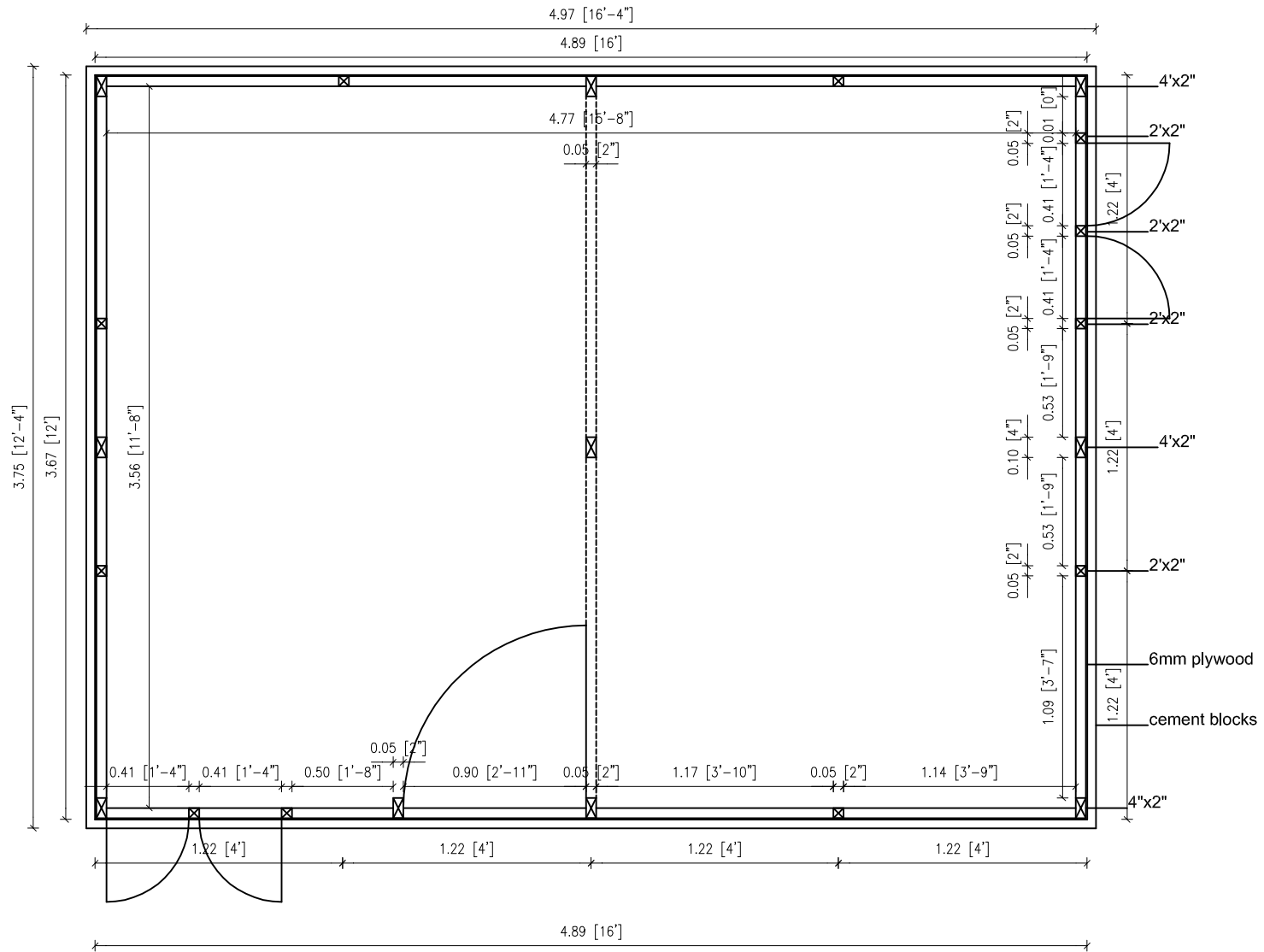
18m2

FLOOR PLAN AND ELEVATIONS
TRANSITIONAL SHELTER

1/50

30/06/10

**shelter
program**



FLOOR PLAN

PAGE:

2

TS TYPE:

18m2

DRAWING:

FLOOR PLAN

TRANSITIONAL SHELTER

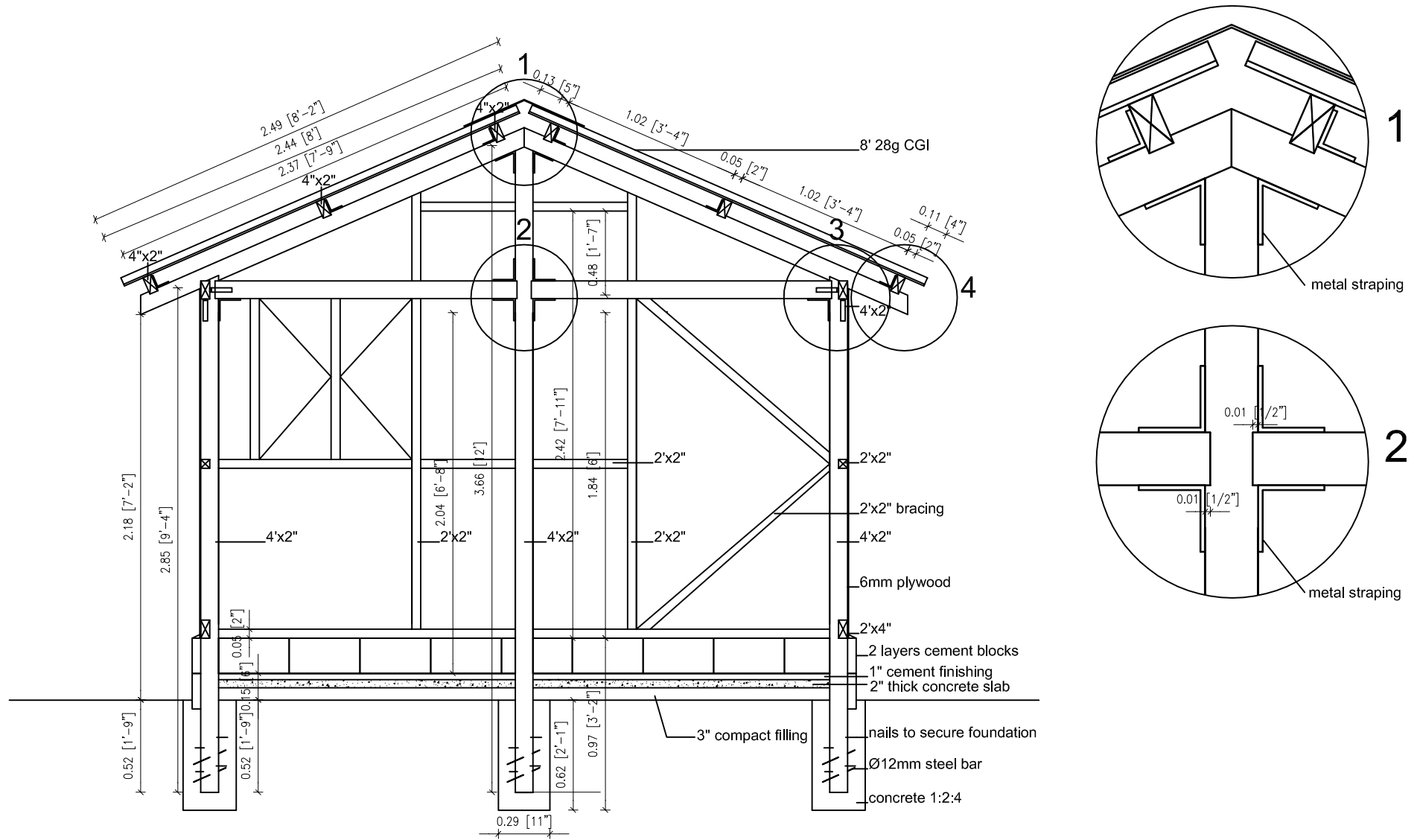
ESCALA/ SCALE:

1/30

DATA/ DATE:

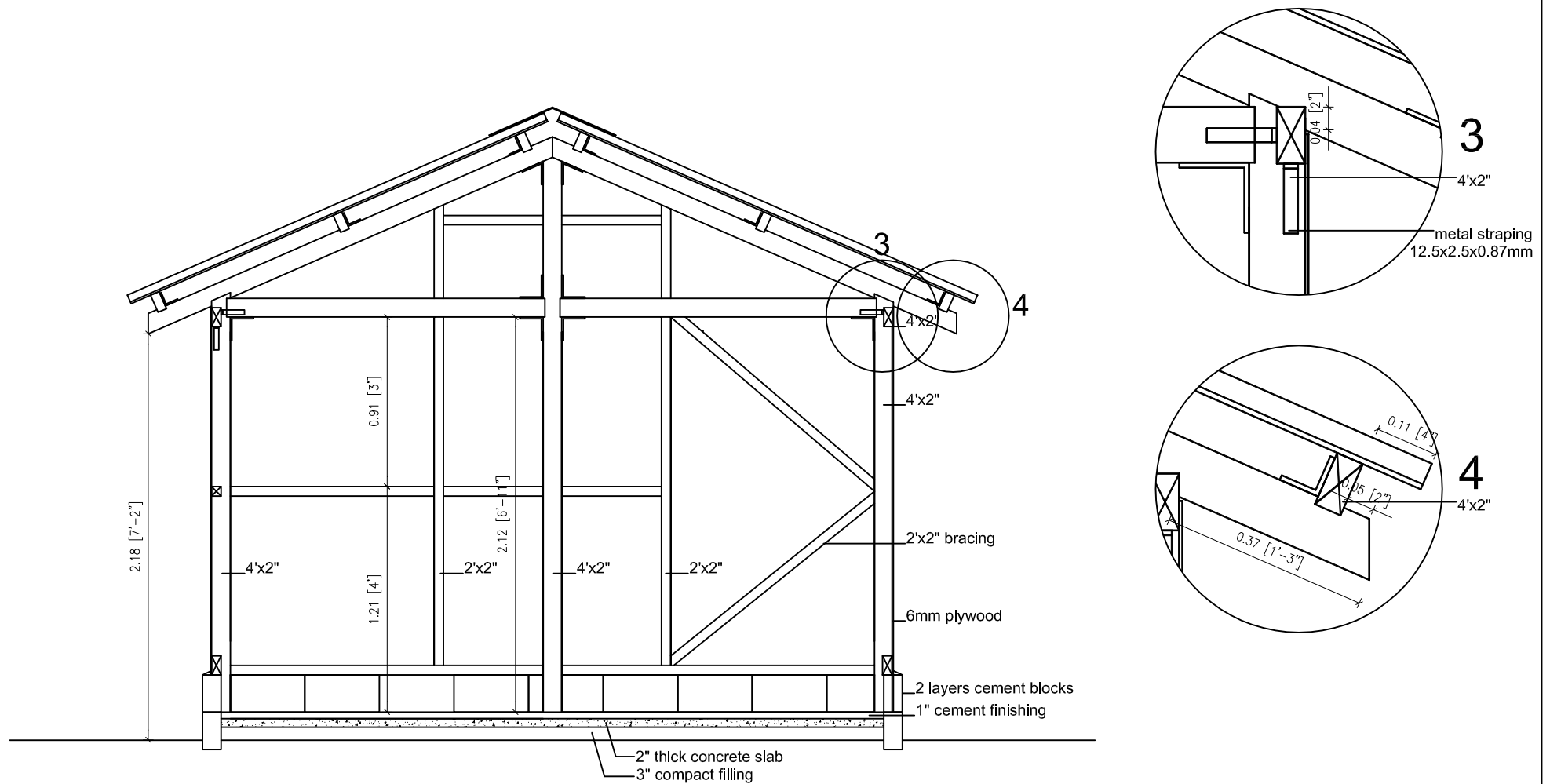
30/06/10

**shelter
program**



RIGHT SIDE FRAME

PAGE: 3	TS TYPE: 18m2	DRAWING: CROSS SECTION 1 AND DETAILS TRANSITIONAL SHELTER	ESCALA/ SCALE: 1/30; 1/10	DATA/ DATE: 30/06/10	shelter program
-------------------	-------------------------	--	------------------------------	-------------------------	----------------------------



LEFT SIDE FRAME

PAGE:

TS TYPE:

DRAWING:

ESCALA/ SCALE:

DATA/ DATE:

4

18m2

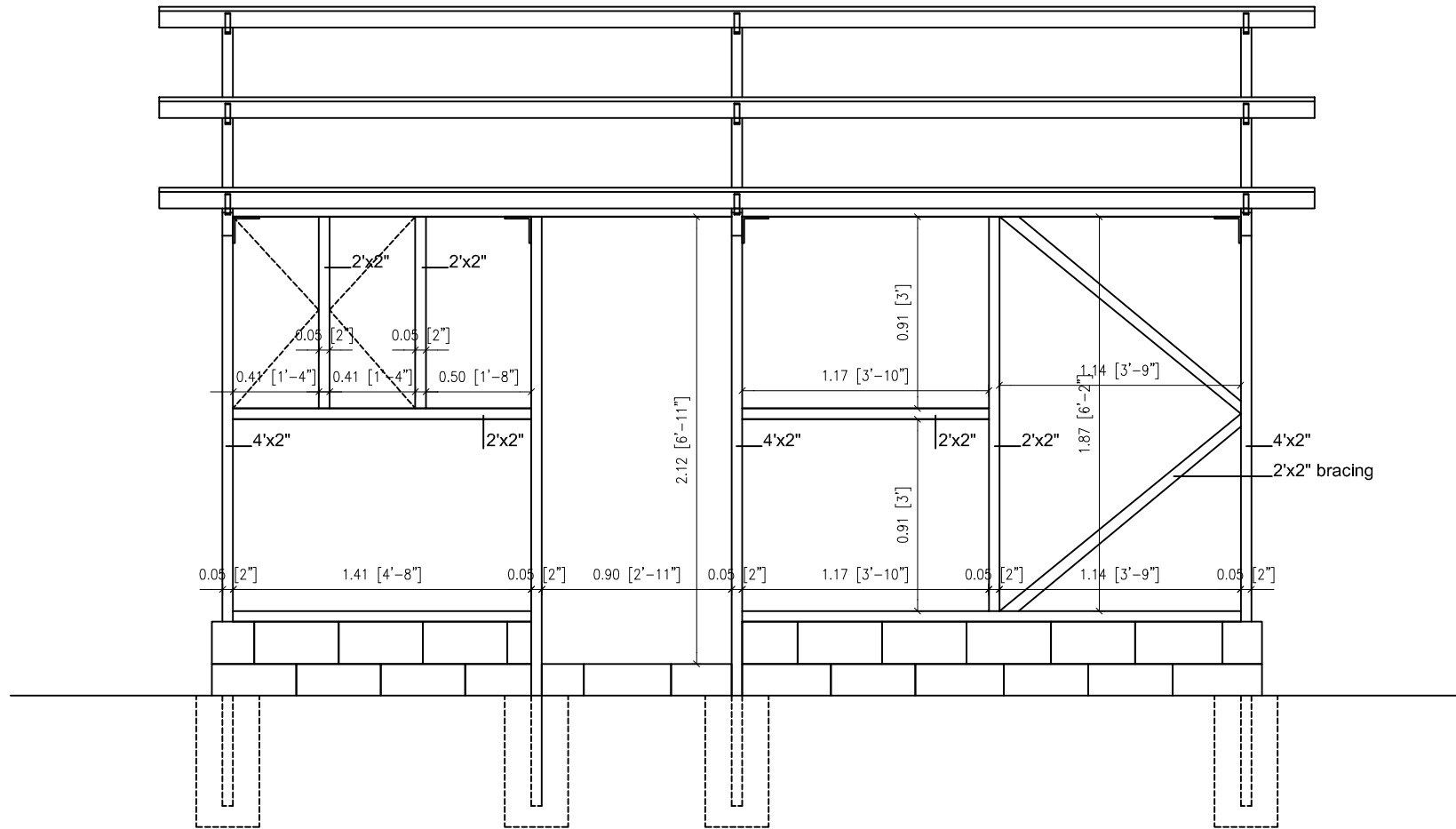
CROSS SECTION 2 AND DETAILS

1/30; 1/10

30/06/10

TRANSITIONAL SHELTER

**shelter
program**



SECTION 3

PAGE:

TS TYPE:

DRAWING:

ESCALA/ SCALE:

DATA/ DATE:

5

18m2

CROSS SECTION 3 AND DETAILS
TRANSITIONAL SHELTER

1/30

30/06/10

shelter
program