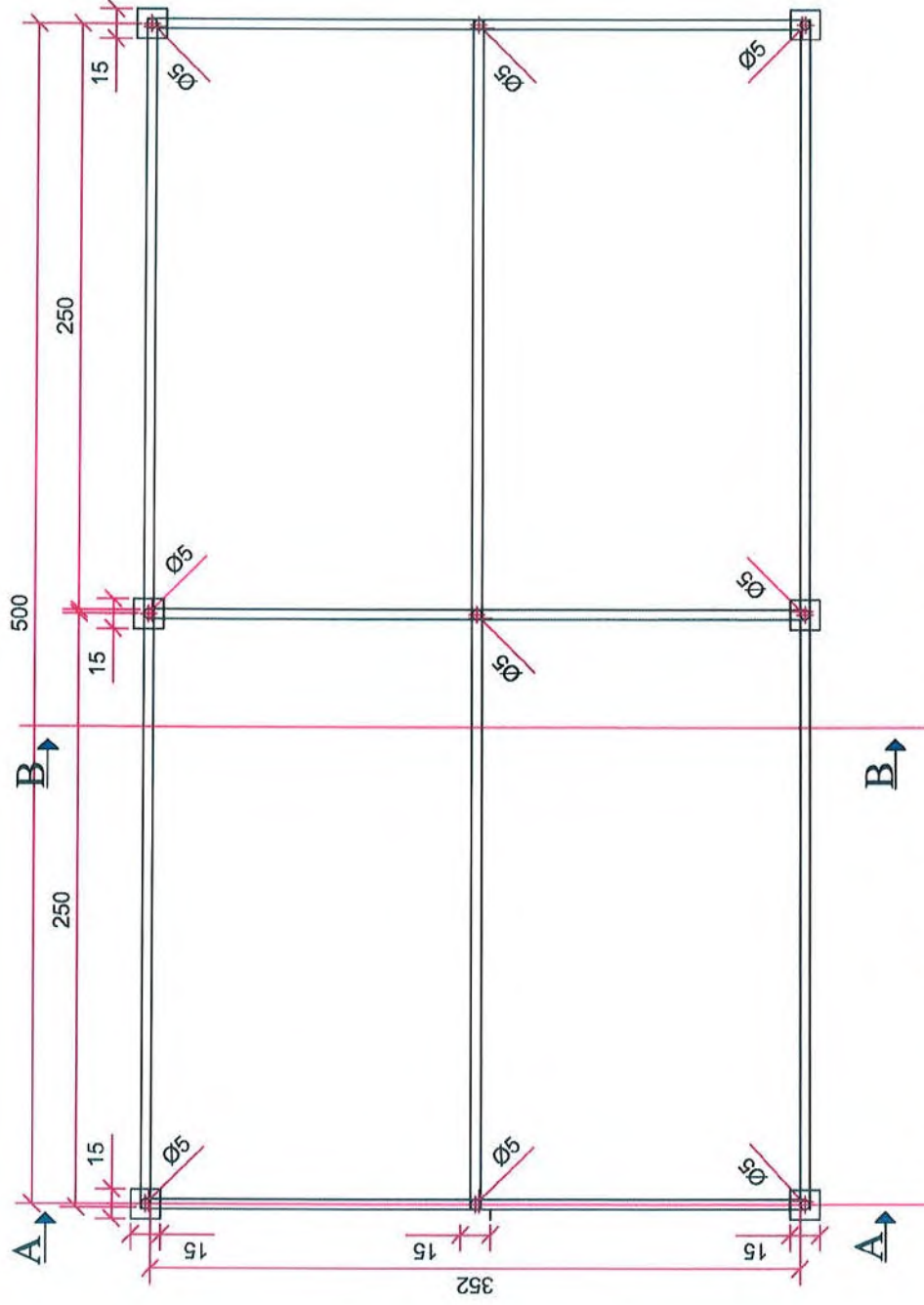


# Transitional shelter Plan



**Project:** Transitional shelter for Afghan Returnees

**Location:** Eastern Region

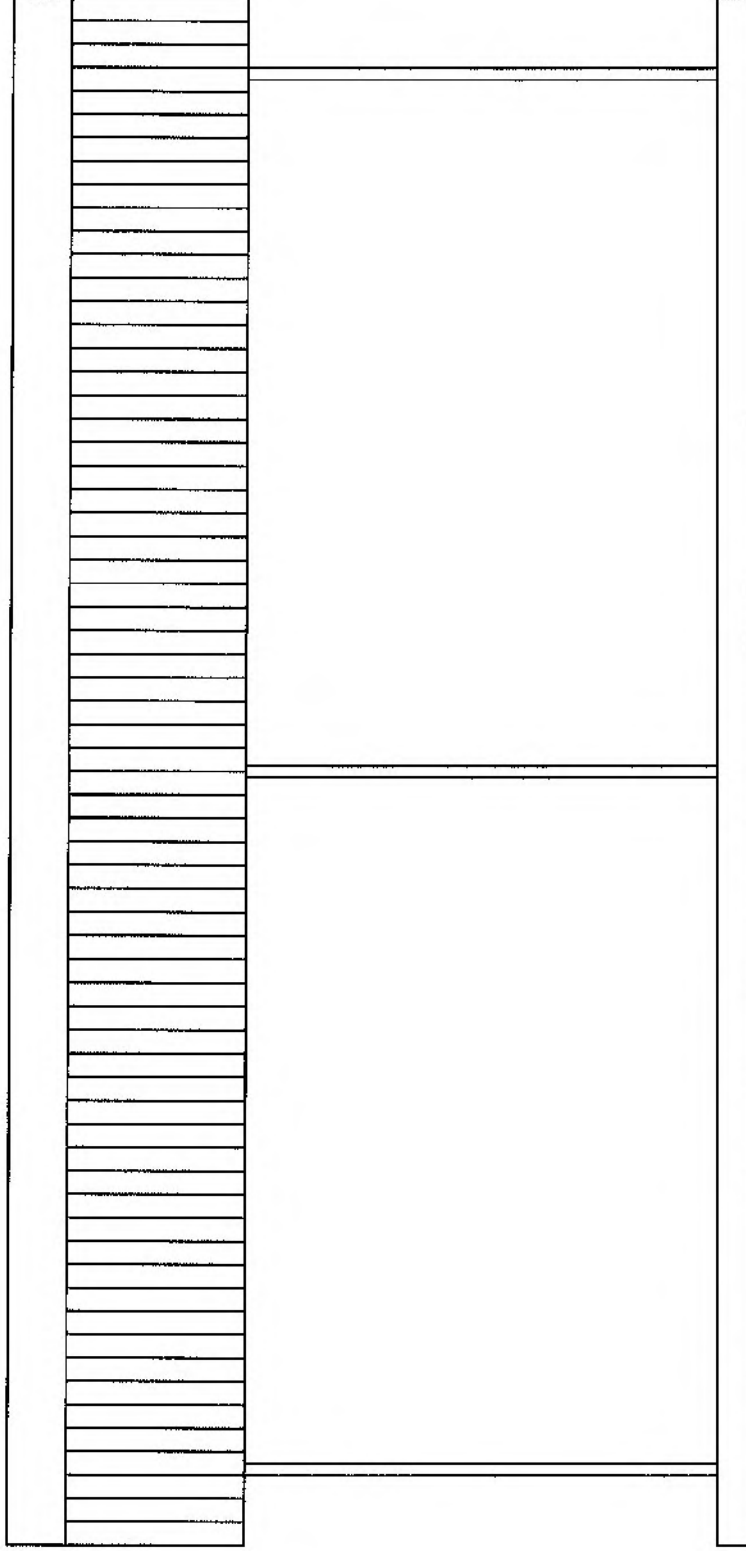
**IP:** NRC(Norwegian Refugee Council)

**Drawn by:** NRC

**Note:**

- All dimensions are in cm
- Not to scale

# Front Elevation



**Project:** Transitional shelter for Afghan Returnees

**Location:** Nangarhar

**IP:** NRC(Norwegian Refugee Council)

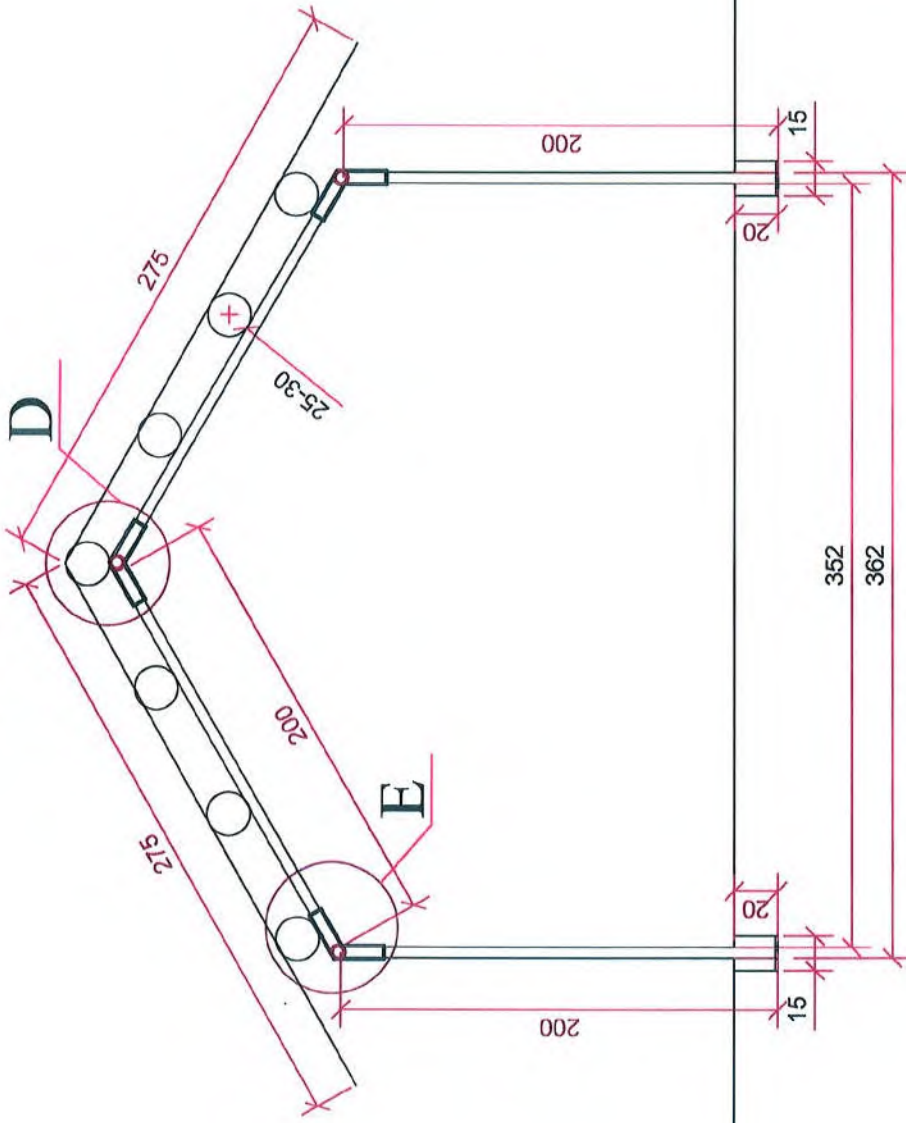
**Drawn by:** NRC

**Note:**

- All dimensions are in cm
- Not to scale



# Section A:A



**Project:** Transitional shelter for Afghan Returnees

**Location:** Eastern Region

**IP:** NRC(Norwegian Refugee Council)

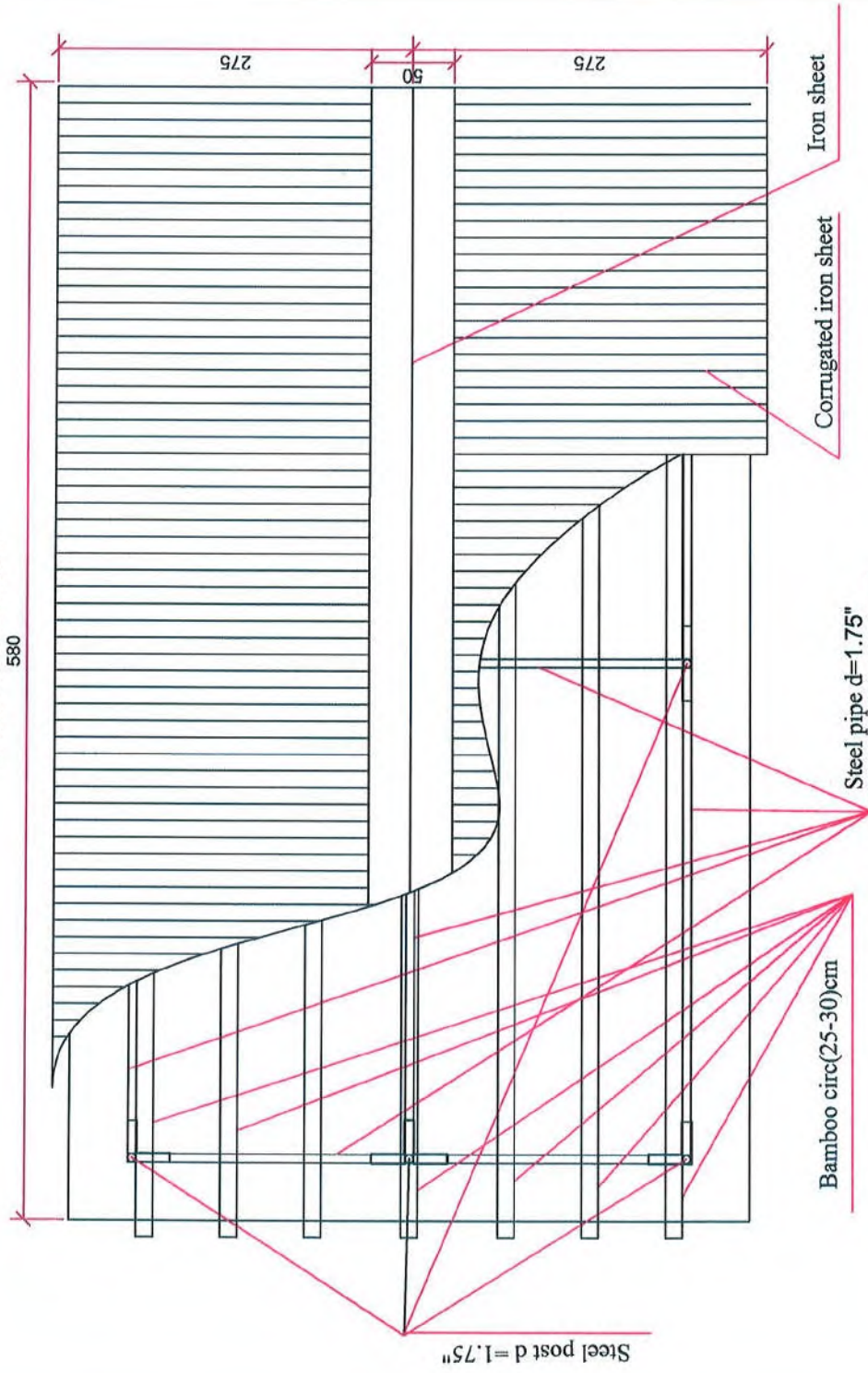
**Drawn by:** NRC

**Note:**

- All dimensions are in cm
- Not to scale



# Roof structure



Project: Transitional shelter for Afghan Returnees

Location: Nangarhar

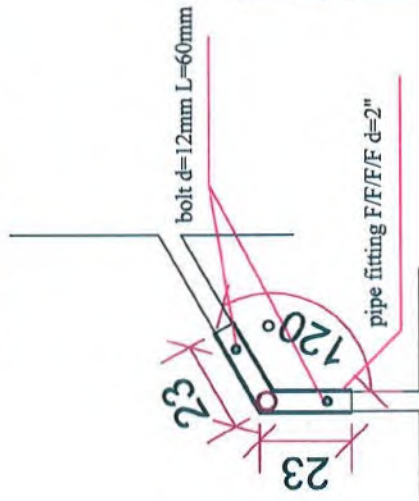
IP: NRC(Norwegian Refugee Council)

Drawn by: NRC

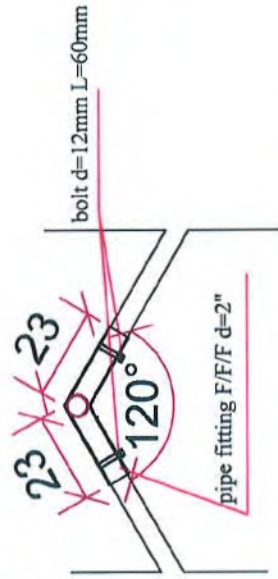
Note:

- All dimensions are in cm
- Not to scale

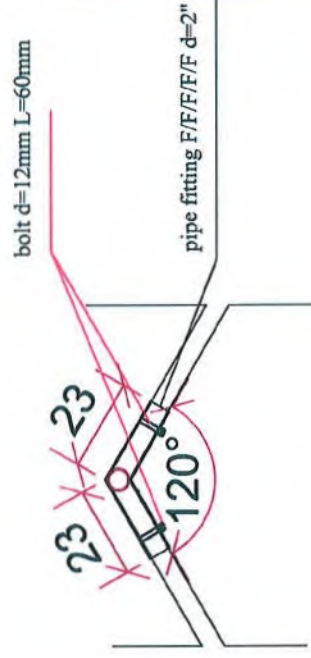
## Detail E



## Detail D



## Detail A



**Project:** Transitional shelter

**Location:** Nangarhar

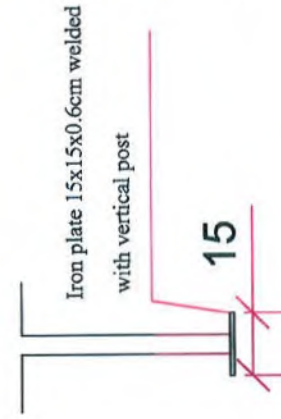
**IP:** NRC (Norwegian Refugee Council)

**Drawn by:** NRC

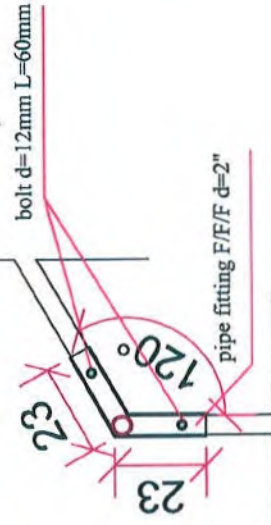
**Note:**

- All dimensions are in cm
- Not to scale

## Detail C

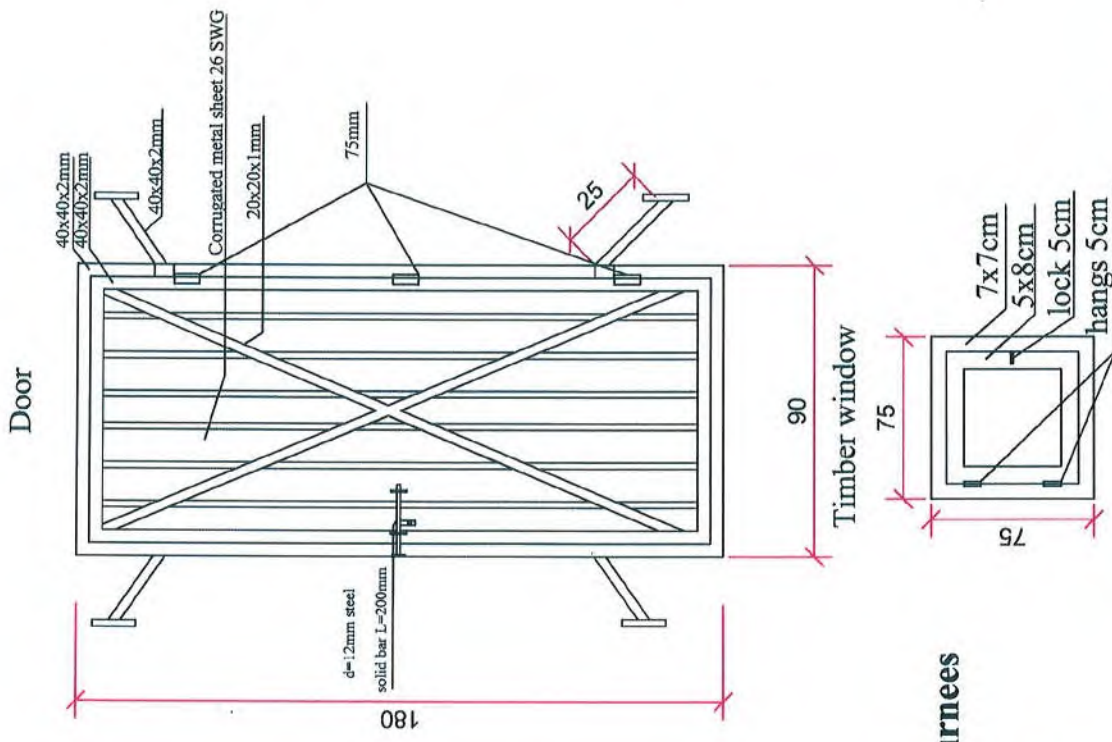


## Detail B





**Transitional shelter door specifications**  
 Metal door size 90cm X 180cm. The door frame shall be of flanged square steel tubing 40mm x 40mm, 2mm thickness. The door shall be made from steel tubing 40mm x 40mm, 2mm thickness with overlap on two sides. The door shall be fitted with 26 standard wire gage (SWG) corrugated sheet which is reinforced with bracing of square tubing of 20mm x 20mm, 1mm thick and spot welded on either side at 30cm. gap between each spot. The door frame shall have two anchor posts on each side constructed from 40mm square tubing of 2mm thickness which are fully line welded to the door frame at all joints. The sliding bolt/lock and hinges shall be fully welded, not screwed. The door frame, door shutter and all elements shall be coated with two layers of anti corrosion and two layers of grey paint by spraying.



**Project:** Transitional shelter for Afghan Returnees  
**Location:** Eastern Region  
**IP:** NRC(Norwegian Refugee Council)  
**Drawn by:** NRC  
**Note:**

- All dimensions are in cm
- Not to scale

The window frame, window shutter and all elements shall be coated with two layers of undercoat and two layers of gray paint by brush.

No	Description	Specification	Unit	Quantity	Estimated price per unit	Est Total price/TS
1	Metal pipe	Diameter 1.75 inches, 2 mm thickness, length 5 m ( with required drilled holes and painting)	PCs	3		
2	Metal pipe	Diameter 1.75 inches, 2mm thickness, length 2 m ( with required drilled holes and painting)	PCs	6		
3	Metal pipe	Diameter 1.75 inches, 2mm thickness, length 2 m welded with iron plate ( with required drilled holes and painting)	PCs	6		
4	Pipe fittings	Joint 1/2 inches ( with painting)	PCs	6		
5	Pipe fittings	Joint 1/2 inches ( with painting)	PCs	3		
6	Bolts	Dia 12 mm L=60mm	PCs	30		
7	Iron plate	15cm x 15 cm x 0.6 cm ( welded with vertical pipes)	PCs	6		
8	Corrugated Iron sheet	275 cm x 110 cm	PCs	12		
9	Iron sheet	50 cm x 560 cm	Sheet	1		
10	Pak wooden door	180cm x 90 cm ( with necessary fittings and painting)	PCs	1		
11	Wooden window	75 cm x 75 cm (complete, hinges, lock, fixed window glass and painting)	PCs	2		
12	Bamboo poles	circumference 25-30 cm, length 560 cm	PCs	7		
13	Play Wood	(244x122 cm),thickness 5mm	PCs	8		
14	J bolts	8 mm Dia L =250mm with steel washer	NO	48		
15	J hooks	D= 8mm length 700mm	NO	12		
16	Nut and bolt	D=8mm L=160mm	NO	20		
17	Justy nut and bolt	d=5mm L=30mm	NO	25		
18	Metal washer	Standard for Iran roof	NO	55		
19	Rubber washer	Standard for Iran roof	NO	55		
				<b>TOTAL</b>		<b>AFA 0</b>