

Roofing Kit Type III

Summary

This type will provide material and design (one room - 16'x14') for a low-cost flat roof consisting of steel girders, bamboo rafters, polythene sheet, chicks and rope. The selected beneficiaries will construct mud walls themselves and will receive the roofing material upon reaching roof level. The bamboo rafters will be tied to the steel beams by ropes and form a solid frame which will be covered by a polythene sheet, chicks and mud. It is also proposed to include one door and one window in the shelter material.

Cultural Acceptance / Geographic Applicability

Culturally accepted everywhere / not ideal for areas with heavy snowfalls

Advantages

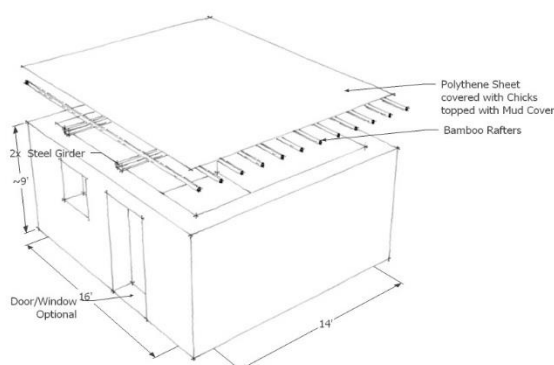
- in line with traditional/local building methods
- no skilled labour required
- Good insulation in summer and winter seasons

Disadvantages

- lot of hard work for beneficiaries (mud walls)
- time consuming construction
- difficult to monitor actual implementation rate

Cost of Materials / Proposed Cash for Work Assistance

Schematic Drawing



Example Photo



Detailed Bill of Quantities

S.No	Items	Unit	Rate	Qty.	Total	USD
Material for 1 Room (16' x 14') – Type III						
1	Steel girders (size: 3" x 6" x 16') - (Specs 3kg/ft)	Nos		2		
2	Bamboo Purlins (4" dia, L=18')	Nos		15		
3	Polythene Sheet (18' x 16'), heavy duty	Sft		288		
4	Chicks (16' x 14')	Sft		224		
6	Doors (3.5' x 7') as per design & specifications - 24 SWG	Nos		1		
7	Windows (3.5' x 5') as per design & specifications - 24 SWG	Nos		1		
8	Rope	Rft		40		
9	Transportation cost	Lump sum		1		
10	Area Factor		5%			
Sub-Total:						