

Shelter Cluster Nepal Partner's Forum Gender & Diversity

Kathmandu

29 July 11am

Agenda

1. Welcome
2. People In Need
 - Gender Inclusive Shelter Approach
3. UN Habitat / Miyamoto
 - “Supporting Women’s Participation in Training Programs and Initiatives”
4. Helvetas
 - Gender Sensitive Shelter
5. AOB



People in Need

MEMBER OF ALLIANCE2015

People in Need

Gender Inclusive Shelter Approach





People in Need

MEMBER OF ALLIANCE2015

Alliance 2015

towards the eradication of poverty

Shelter and NFI distributions

- Tarpaulin, CGI, and shelter kit distributions in Gorkha and Sindhupalchowk.
- Initial coordination of shelter cluster activities in Gorkha.
- Hard to reach areas – remote with little to no market access.
- Historically marginalized communities and ethnic





People in Need

MEMBER OF ALLIANCE2015

Protection

- IDP Camps Bhaktapur
 - Rapid Gender Assessment of women's security needs in camps.
 - Distribution of 'HerKits' – emergency kits containing menstrual hygiene related products.
 - Formation and training of two safety committees.
- Sindhupalchowk
 - VDC and ward level safety committees in ten VDCs being trained and formed through our





People in Need

MEMBER OF ALLIANCE2015

Alliance 2015

towards the eradication of poverty

Women's primary shelter concerns are often gender non-specific

- Earthquake proof homes
- Need for waterproof homes
- Homes that match agrarian livelihoods
- Homes safe from wildlife





People in Need

MEMBER OF ALLIANCE2015

Alliance 2015

towards the eradication of poverty

- Pragmatic approaches to women's inclusion.
- Need for context specific approaches that vary according to ethnicity, age and region.
- Context specific assessments by female enumerators.





People in Need

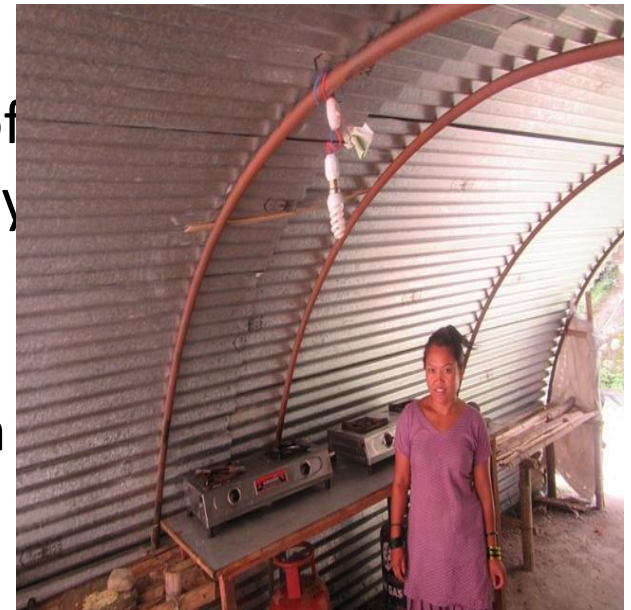
MEMBER OF ALLIANCE2015

Alliance 2015

towards the eradication of poverty

Ventilation and smoke inhalation

- **Problem:** women and girls at higher of health problems (cataracts, respiratory infections) risk because of the increased time they spend indoors.
- **Solution:** well ventilated shelters with adequate chimneys
- **Solution:** smokeless stoves, including biogas stoves where appropriate





People in Need

MEMBER OF ALLIANCE2015

Alliance 2015

towards the eradication of poverty

Shelter safety – locks

- **Problem:** lack of locks to shelters increases vulnerability, especially of women and girls. In RGA, 95% of women said that locks on shelters would significantly improve their security situation.
- **Solution:** some form of lock or latch is essential for women's security.
- **Solution:** while assessing T-shelter designs, consider the strength of the walls themselves, in particular the





People in Need

MEMBER OF ALLIANCE2015

Alliance 2015

towards the eradication of poverty

Shelter safety – lights

- **Problem:** lack of lightning increases vulnerability to gender based violence.
- **Solution:** consider distributing solar lights for female headed households or women staying alone.
- **Solution:** include lights in designs of T-shelters and permanent shelters.
- **Solution:** lights are important in and around toilets – 93% of women said lights at night would increase their





People in Need

MEMBER OF ALLIANCE2015

Alliance 2015

towards the eradication of poverty

Shelter safety – privacy

- **Problem:** RGA found 34% of women and 45% of girls in IDP camps felt unsafe when changing clothes.
- **Problem:** in most communities women and girls use reusable menstrual pads, which is another privacy concern.
- **Solution:** include partition (e.g. tarpaulin, bamboo) in shelter to ensure privacy.
- **Solution:** in some contexts women only bathing area can serve as a changing area.
- **Solution:** ensure a private place where girls and women can wash their pads.



People in Need

MEMBER OF ALLIANCE2015

Toilets

- **Problem:** RGA found that 48% percent of women in IDP camps felt unsafe when using the toilets (not gender segregated and without proper locks).
- **Problem:** women without toilets are more likely to rely on open defecation, where they are vulnerable to SGBV (also a health issue).
- **Solution:** permanent home reconstruction will include toilets as per Government guidelines.
- **Solution:** 94% of women said that **gender segregated** toilets would significantly improve their security.
- **Solution:** ensure the toilets have **locks and lightning** in



People in Need

MEMBER OF ALLIANCE2015

Alliance 2015

towards the eradication of poverty

Access to water

- **Problem:** women and girls traditionally provide water to their households, which restricts their time.
- **Problem:** traveling long distances alone to fetch water also poses risks of assaults and attacks.
- **Solution:** water taps' location should be determined through consultations with women and girls, as they use it more for





People in Need

MEMBER OF ALLIANCE2015

Menstrual restrictions

- Cultural norms restrict menstruating girls and women from various activities depending on their ethnic group.
- Takes many forms – e.g. not being allowed in certain rooms, sleeping separately or outside the home.
- When designing shelter, it is crucial to assess this to ensure girls and women will have a safe place to sleep in your target areas.
- In many communities women are not allowed in the kitchen – if relevant, a cooking area outside the home may be needed.



People in Need

MEMBER OF ALLIANCE2015

Alliance 2015

towards the eradication of poverty

Summary

- Include smokeless stoves & ventilation.
- Include locks or latches.
- Include lights in shelters.
- Include material for partitions to ensure privacy.
- Ensure place to wash pads.
- Ensure access to water and safe toilets (with lights and locks).
- Include women and monitor their participation in distributions, decision making, assessments and designs.



People in Need

MEMBER OF ALLIANCE2015

Alliance 2015

towards the eradication of poverty

Relevant Readings & Supporting Research

- Practical Action - [Gender and Livelihoods Impacts of Clean Cookstoves in South Asia](#)
- People in Need - [Rapid Gender Assessment](#)
- Water Aid – [Menstrual Hygiene in South Asia](#)
- Guardian Development Blog – [Economic Impact of Menstrual Shame](#)
- Saferworld – [Community-based approaches to safety and security: Lessons from Kosovo, Nepal and Bangladesh](#)
- Saferworld – [Women's insecurities in the workplace in Nepal](#)

Tips for “Supporting Women’s Participation in Training Programs and Initiatives”

Developed by: UN Habitat, Lumanti, Federation of Business and Professional Women Nepal, Shelter Cluster, Miyamoto International, Care International

Context

- ▶ Many training programs have targets of 50/50 men & women, and yet it is often difficult to achieve these (for women)
- ▶ Standard training programs don't always respond to women's needs & reality
- ▶ How then can we tailor training to encourage & support women's participation?



Outline of the Presentation

- ▶ Creating an enabling environment for women to participate in training
- ▶ Consideration of specific barriers to women's participation
- ▶ Fostering and encouraging participation
- ▶ Things to remember and be informed about
- ▶ Looking to the future/aiming for equality
- ▶ Suggested training programs
- ▶ Further information

DO, Create an Enabling Environment

- ▶ Take trainings to the community
- ▶ Target women
- ▶ Time & timing
- ▶ Gender sensitization
- ▶ Link shelter & livelihoods
- ▶ Assess skills & education
- ▶ Empowerment
- ▶ Strategic placements of skilled staff
- ▶ Reimbursements

DO be aware of specific barriers to women's participation

- ▶ Women's technical skills & knowledge (low); trainings may not be well matched to their experience and physical conditions
- ▶ Reproductive roles & responsibilities
- ▶ Family & community roles



DO foster and encourage

- ▶ Collective action & information sharing in & across communities
- ▶ Model best & inclusive practice
- ▶ Linking women trainings to further education (enhancing career opportunities)
- ▶ Creativity in information dissemination
- ▶ Linkages with Shelter, WASH and other related programs

DON'T forget (or things to remember)

- ▶ Women have daily responsibilities in the home
- ▶ Additional responsibilities for women due to men working overseas
- ▶ There is a current lack of information on rebuilding
- ▶ Women currently working in construction industry are largely unskilled and low paid
- ▶ There can be negative consequences when people are paid for training
- ▶ A long term approach or solution is needed

DO be informed

- ▶ About urban and rural differences
- ▶ Women's caring roles & responsibilities
- ▶ About who the community decision makers are; get their buy-in
- ▶ About the division of labour in targeted families / communities



Food for thought (looking to the future)

- ▶ Certification not always the goal
- ▶ Create livelihood opportunities and labour exchanges
- ▶ Promote & use women in leadership roles

Some suggestions for training programs

- ▶ Build Back Better (technical, artisan, supervision, quality control and social mobilization etc.)
- ▶ Production of materials (small and medium enterprise)
- ▶ Rebuilding and budgeting
- ▶ Health and safety
- ▶ ‘de-technalise’ the building process (make it simple)

For more information & additional copies of the Tip Sheet

- ▶ Shristee Singh, UN Habitat
shristee.singh@unhabitat.org.np
- ▶ Tom Bamforth, Shelter Cluster
tom.bamforth@sheltercluster.org

Also available as a handout: Ministry of Urban Development Gender Equality and Social Inclusion (GESI) Project: Values of GESI Project for Behavioral and Attitude Change

Gender Sensitive Shelter; Initiatives HELVETAS Swiss Intercooperation Nepal / Solidar Switzerland

29th July, 2015.
Bikram
Mona
Frank

Contents

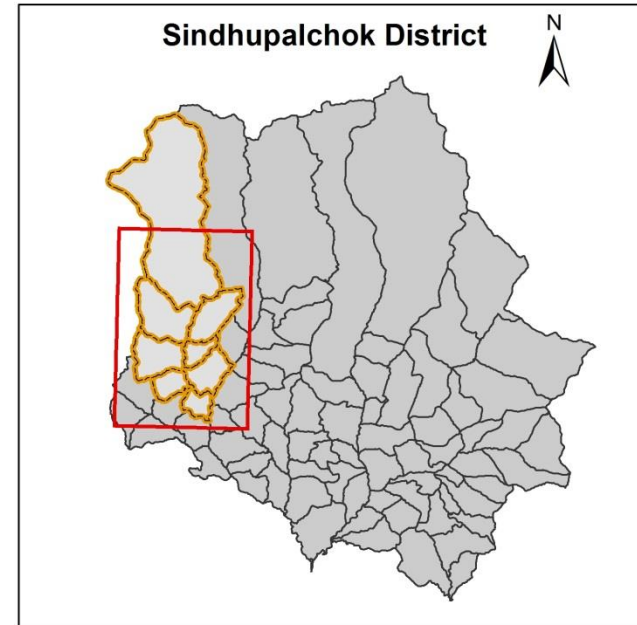
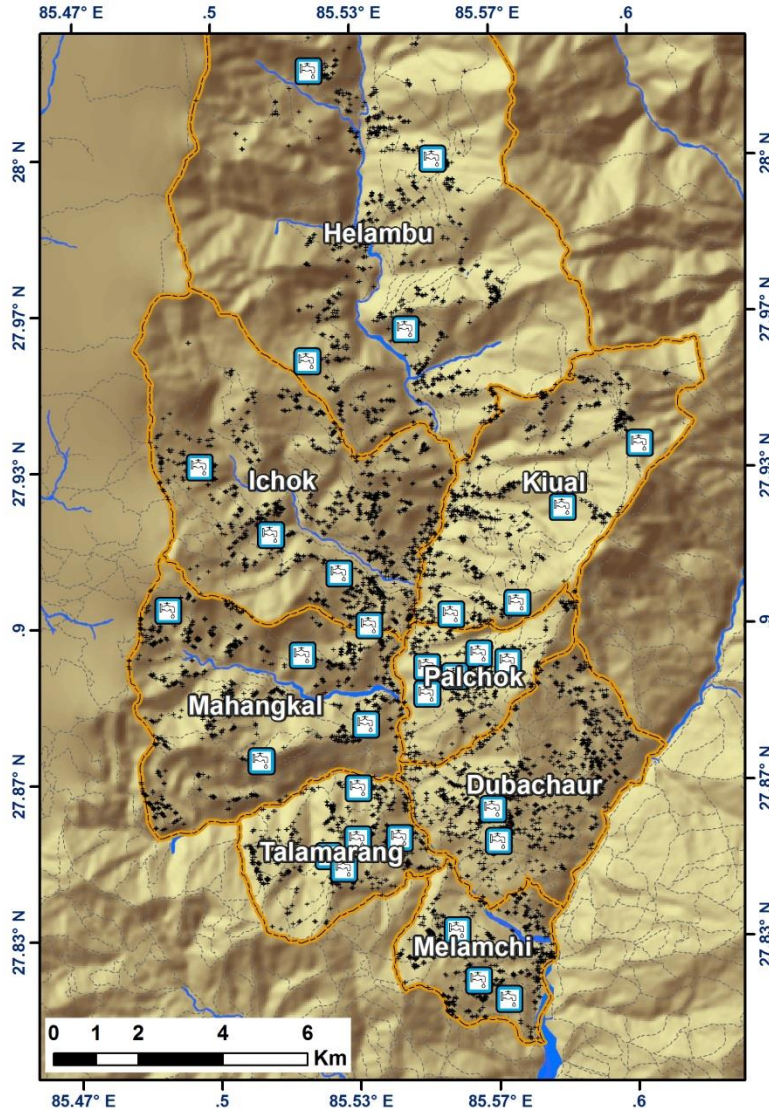
Focus VDCs

Why Gender Sensitive Shelter

How do we plan to make the
shelters gender friendly

Coordination ??

Focus VDCs



Why Gender Sensitive Shelter



- ❖ The type of house to be built and design of house , decisions are taken by men – They miss out many social aspects related to women (not well ventilated Kitchen, cooking stoves are not health friendly, lack WASH Facilities - House lack separate washrooms)
- ❖ Less Awareness on Disaster risks
- ❖ House is basically a private domain – Women spend most of the time in a house- Women Friendly shelter becomes crucial

How do we plan to make shelters women friendly

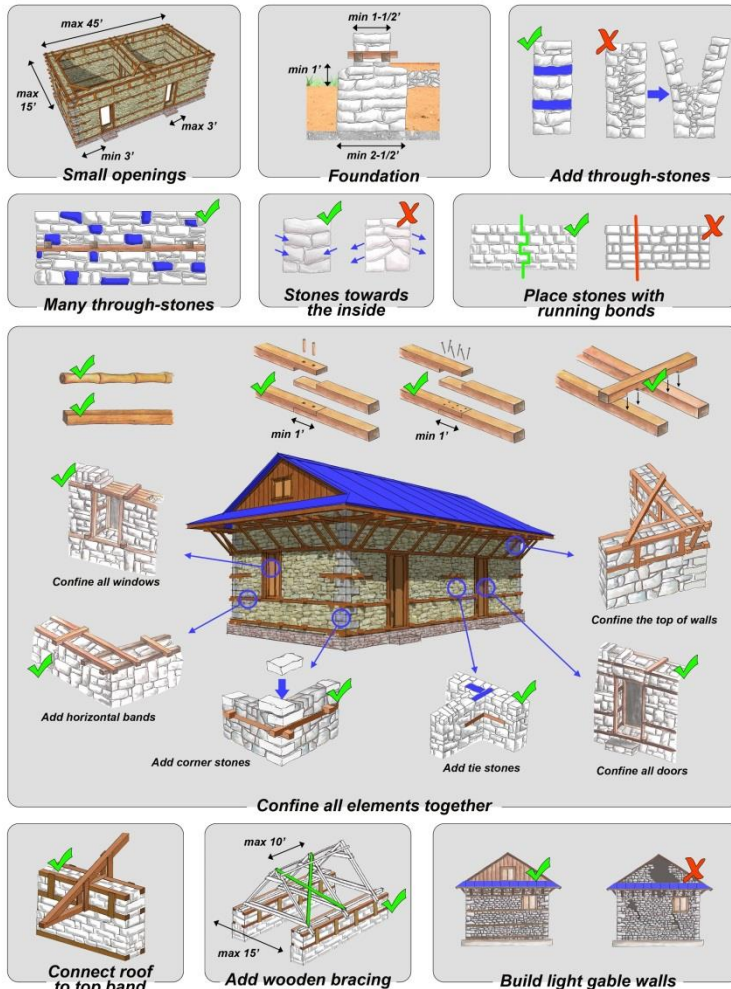
Integrated Approach

- ❖ Target Selection - 3 criteria
 - ✓ Vulnerability (Women-headed household, orphan children)
 - ✓ socio economic – (Family living below poverty line, Trafficked person) &
 - ✓ Family capacity to rebuild (physical & geographical)
- ❖ Land ownership or other agreements (Property Issues- Tax compensation on transfer of property to women)
- ❖ Participatory approach in Decision Making for the required space of a house
- ❖ WASH facilities - covered by Drinking water schemes

Disseminating buildings codes on safe site selection and decision making by both men and women

Build Back Safer

One story house with Stone and Wood



Site Selection Criteria and Decision Making

“NBC 203”

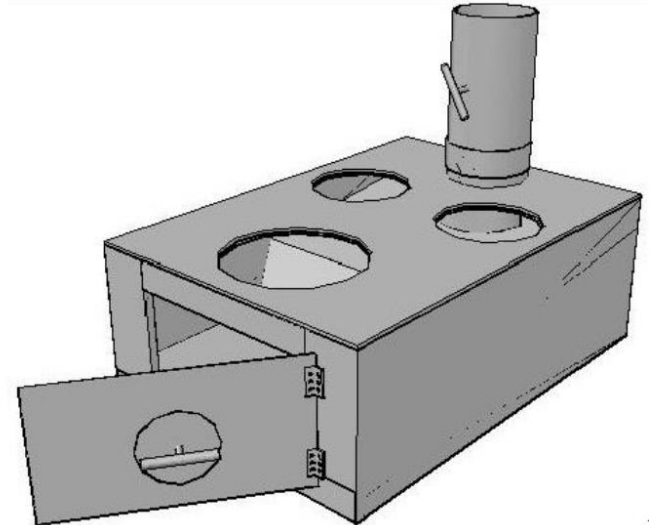
1. Rupture Lines: Visible to the naked eye
2. Landslide Susceptibility: Tree are simple indications
3. Boulder Hazard:
4. Steep Slope: Generally up to 20 degree slope are stable
5. Filled Area :
6. Marshy area and water logged area

Trainings on skill development (change in roles)



- ❖ Training in collaboration with Employment Fund
- ❖ 60 construction teams (1 trained supervisor, 1 skilled craftsperson , 5 semiskilled craftsperson plus 2 beneficiaries from the household)
- ❖ Change in gender division of role and women into productive role

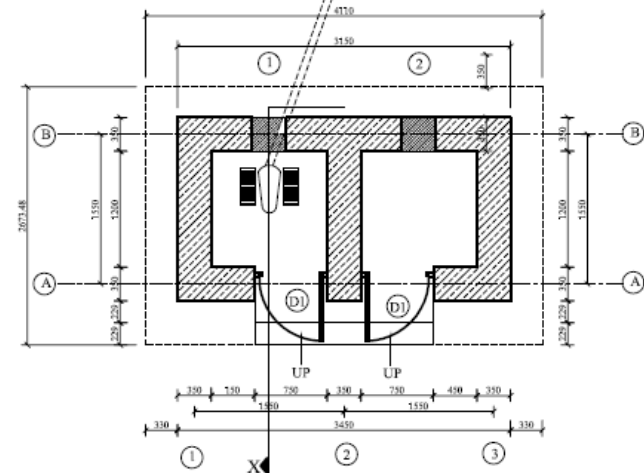
Access to service Accessories - Change in Roles



Annexes to shelter- Access to assets & services



Toilet plus Wash Room



Coordination



How do we coordinate among ourselves, with the Government and do we comply with the Government ordinance on Shelter ???



THANK YOU !



Any Other Business

Next Shelter Cluster meeting Wednesday 5 August 2015, 11am

Friendly reminders:

- ✓ Check for updates on the website
- ✓ Send in your reports for SC tracking
- ✓ Register yourself on the mailing list

New Shelter Cluster Email for general correspondence:
nepal@sheltercluster.org

<https://www.sheltercluster.org/response/nepal-earthquake-2015>